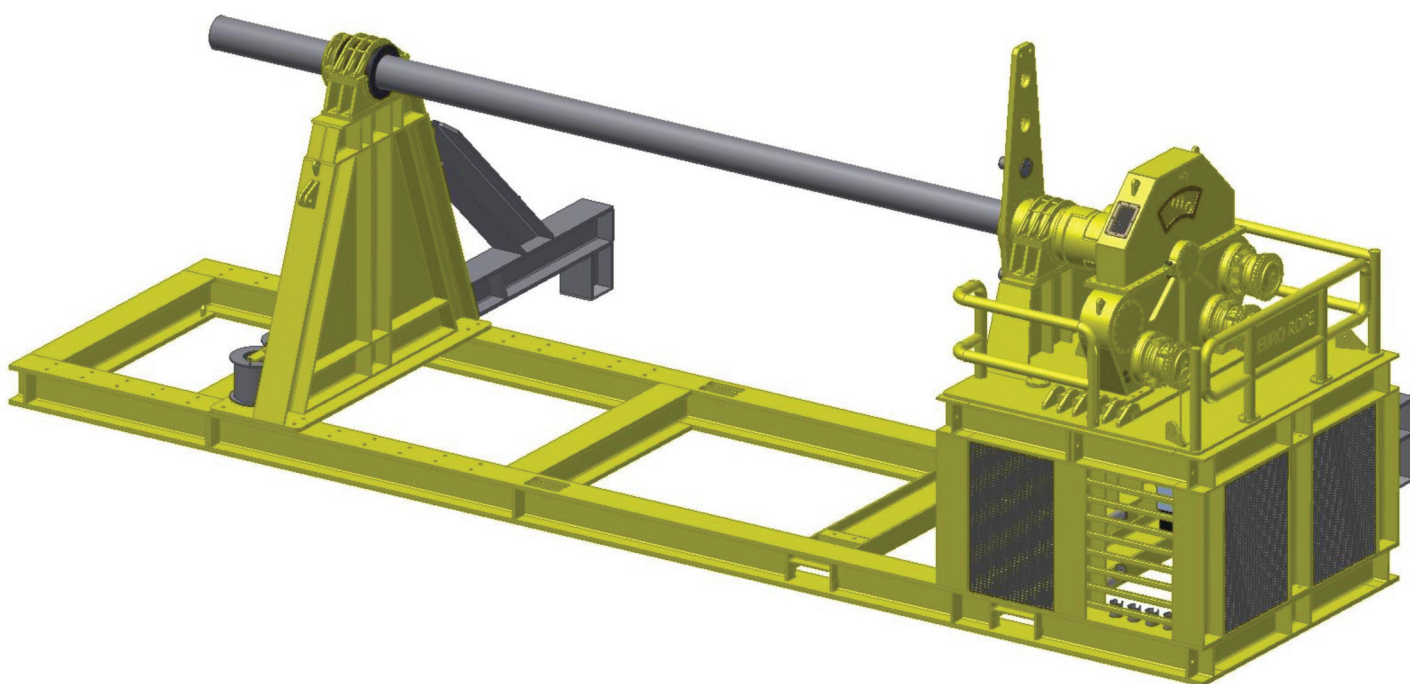




Spooler 300T



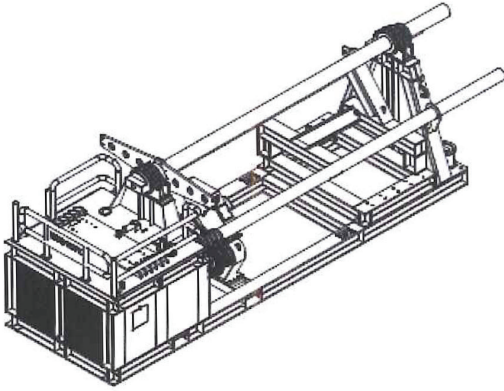
Technical data

Length:	10.000mm
Width:	3.000mm
Height:	3.376mm
Max Reel Dia:	5.000mm
Max Reel Width:	7.650mm
Machine weight:	13.000Kg Without shaft
Lifting:	Fitted with forklift pockets & 4 point lifting sling set fitted (without reel).
Design Temperature:	-10° up to +40°
Guarding:	All moving parts guarded, with the exception of the back and front reel.

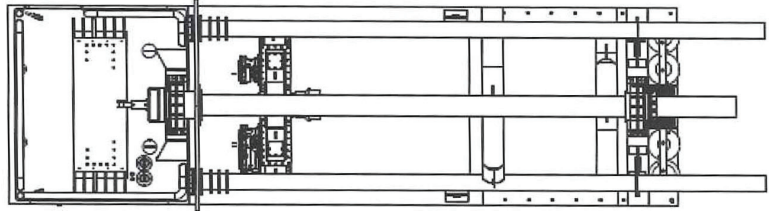
Performance Data

Layer Diameter (mm)	Pull / Layer (Tonnes)	Winch Speed (M/Min)
500	138.69	10
1000	69.35	20
1500	46.23	30
2000	34.67	40
2500	27.74	50
3000	23.12	60
3500	19.81	70
4000	17.34	80

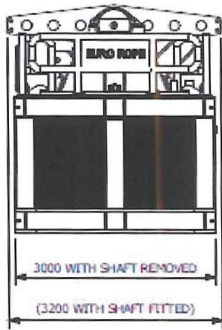
ISOMETRIC VIEW (1:100)



PLAN VIEW (1:75)



END VIEW (1:75)



SIDE VIEW (1:75)

