



SafeLifting

Datasheet GP P-6033 55T

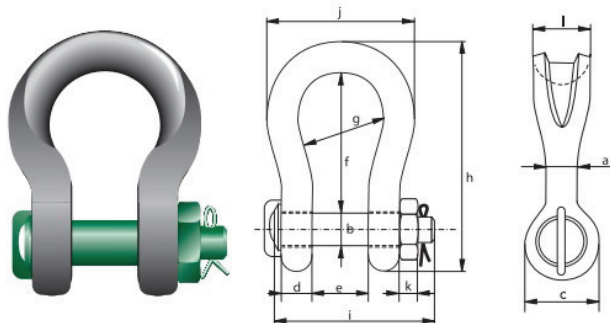


Green Pin® Sling Shackles

P-6033

bow shackles with safety bolt

- **Material** : bow and pin alloy steel, Grade 8, quenched and tempered
- **Safety Factor** : MBL equals 5 x WLL
- **Finish** : shackle bow painted silver, pin painted green
- **Temperature Range** : -20 °C up to +200 °C
- **Certification** : **2.1** **2.2** **3.1** **MTC^b** * **LROS** * **MPI^b** * **US^b** * **CE**



working load limit	diameter body	diameter pin	diameter eye	width eye	width inside	length inside	width bow	length	length bolt	width	thickness nut	bearing surface	weight each
t	a	b	c	d	e	f	g	h	i	j	k	l	kg
55	60	57	115	55	90	240	160	389	299	270	45	100	30
working load limit	diameter body	diameter pin	diameter eye	width eye	width inside	length inside	width bow	length	length bolt	width	thickness nut	bearing surface	weight each
t	a	b	c	d	e	f	g	h	i	j	k	l	lbs
55	2 ³ / ₈	2 ¹ / ₄	4 ¹⁷ / ₃₂	2 ⁵ / ₃₂	3 ¹⁷ / ₃₂	9 ⁷ / ₁₆	6 ⁵ / ₁₆	15 ⁵ / ₁₆	11 ²⁵ / ₃₂	10 ⁵ / ₈	1 ²⁵ / ₃₂	3 ¹⁵ / ₁₆	66