



# SafeLifting

## Datasheet GP P-6033 75T

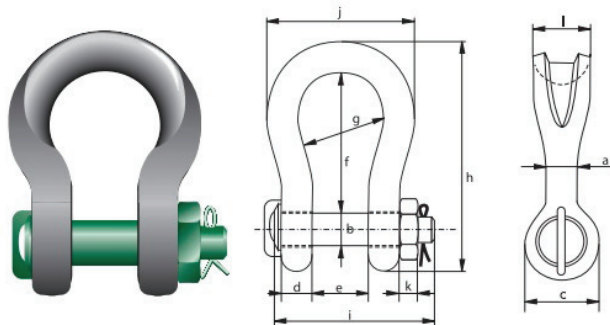


### Green Pin® Sling Shackles

P-6033

#### bow shackles with safety bolt

- **Material** : bow and pin alloy steel, Grade 8, quenched and tempered
- **Safety Factor** : MBL equals 5 x WLL
- **Finish** : shackle bow painted silver, pin painted green
- **Temperature Range** : -20 °C up to +200 °C
- **Certification** : **2.1** **2.2** **3.1** **MTC<sup>b</sup>** \* **LROS** \* **MPI<sup>b</sup>** \* **US<sup>b</sup>** \* **CE**



working load limit	diameter body	diameter pin	diameter eye	width eye	width inside	length inside	width bow	length	length bolt	width	thickness nut	bearing surface	weight each
t	a	b	c	d	e	f	g	h	i	j	k	l	kg
75	68	70	125	54	110	290	185	473	327	317	54	120	48
working load limit	diameter body	diameter pin	diameter eye	width eye	width inside	length inside	width bow	length	length bolt	width	thickness nut	bearing surface	weight each
t	a	b	c	d	e	f	g	h	i	j	k	l	lbs
75	2 <sup>11</sup> / <sub>16</sub>	2 <sup>3</sup> / <sub>4</sub>	4 <sup>29</sup> / <sub>32</sub>	2 <sup>1</sup> / <sub>8</sub>	4 <sup>11</sup> / <sub>32</sub>	11 <sup>13</sup> / <sub>32</sub>	7 <sup>9</sup> / <sub>32</sub>	18 <sup>5</sup> / <sub>8</sub>	12 <sup>7</sup> / <sub>8</sub>	12 <sup>15</sup> / <sub>32</sub>	2 <sup>1</sup> / <sub>8</sub>	4 <sup>23</sup> / <sub>32</sub>	106