



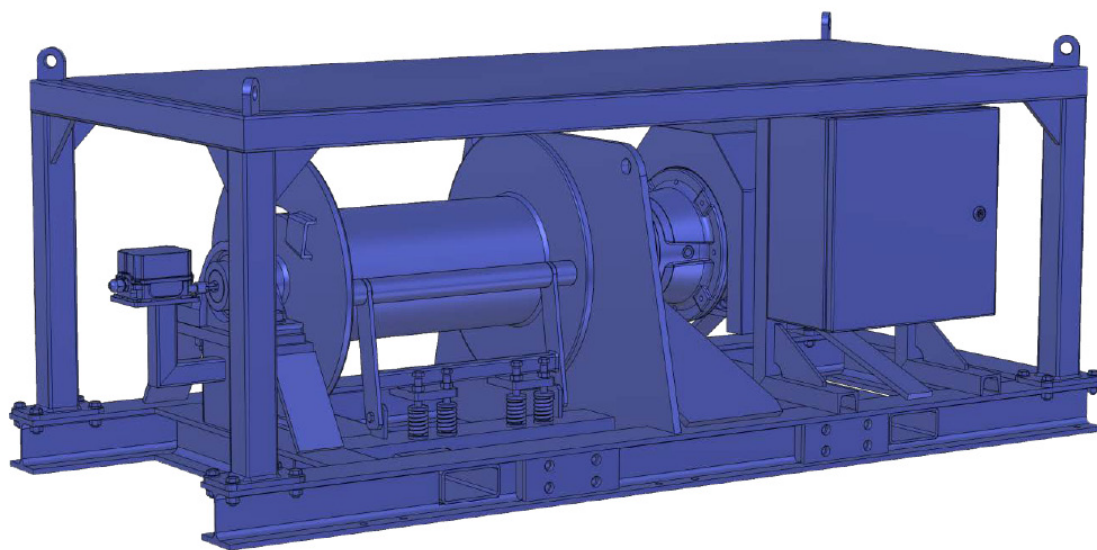
## Winch 2T- SLWI0022

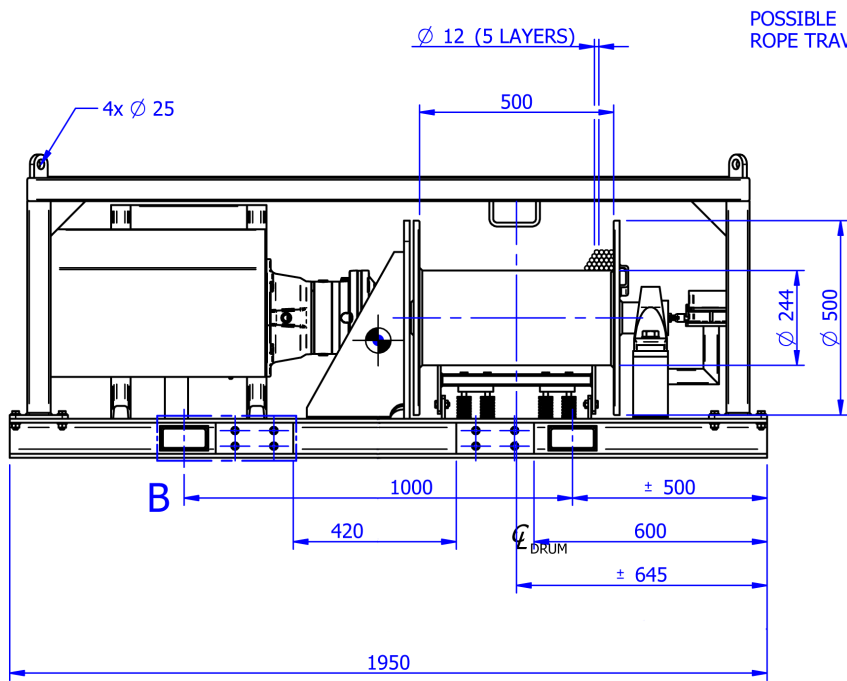
### Technical Data

Power supply:	Electric 7,5kW 400V AC, 3 phase
WLL 1st layer:	2625kg
WLL lifting top layer:	2000kg
Speed:	15 m/min
Speed at top layer:	20 m/min
Number of layers:	5
mass:	475kg
Rope diameter:	12mm
Handheld remote:	Yes

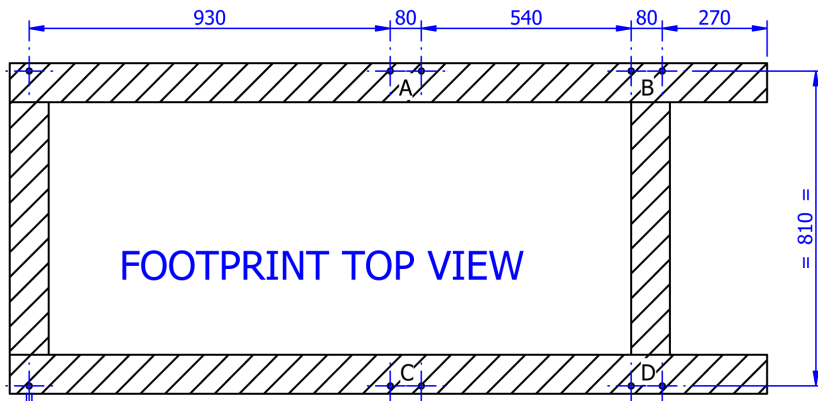
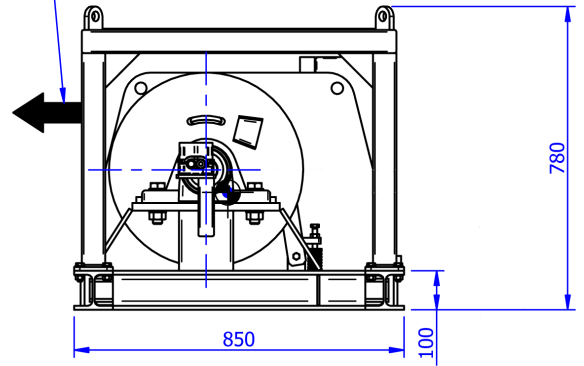
### Dimensions

Length:	1950 mm
Width:	850 mm
Height:	780 mm

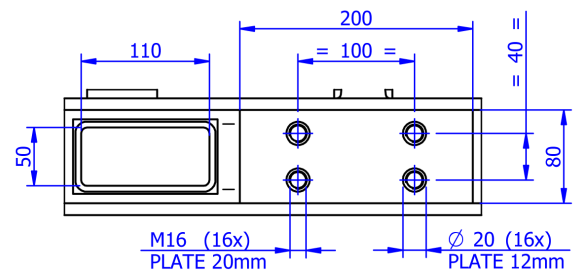




POSSIBLE ROPE TRAVEL



FOOTPRINT TOP VIEW



DETAIL B  
FORK LIFT + EXTRA PLATES

$\varnothing 14$  (10x)  
 SUITABLE FOR M12 CLASS 8.8  
 INITIAL TENSION: 93 Nm PER BOLT

