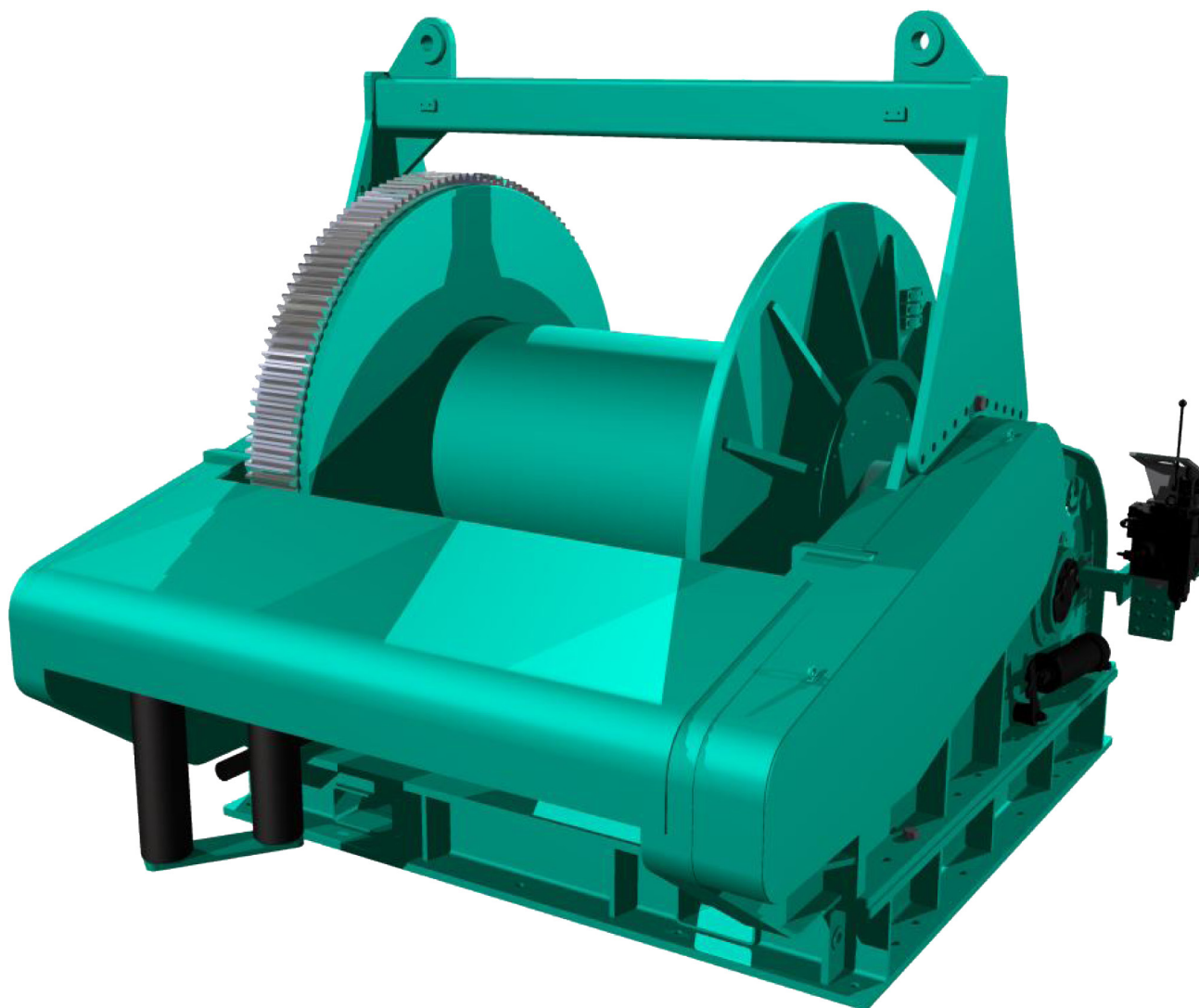




Your **RENTAL** Partner

Data Sheet

55T Winch - ERWI0551



Your **RENTAL** Partner

Dimensions

| | |
|----------|---|
| Length: | 3134mm |
| Width: | 2580mm |
| Height: | 2480mm |
| Weight: | Approx 12T (without wire rope) |
| Lifting: | Fitted with Forklift pockets & 2 point spreader beam. |

| | |
|--------------------|---------------------------|
| Design temperature | -10°C - +40°C |
| Guarding | All moving parts guarded. |

Rules and Regulations

The winch will comply with the following:

- Pressure Directive 97/23/EC
- Machinery Directive 2006/42/EC
- ISO 9001: 2008
- PUWER
- BS EN 12079
- CE Marked

Drum

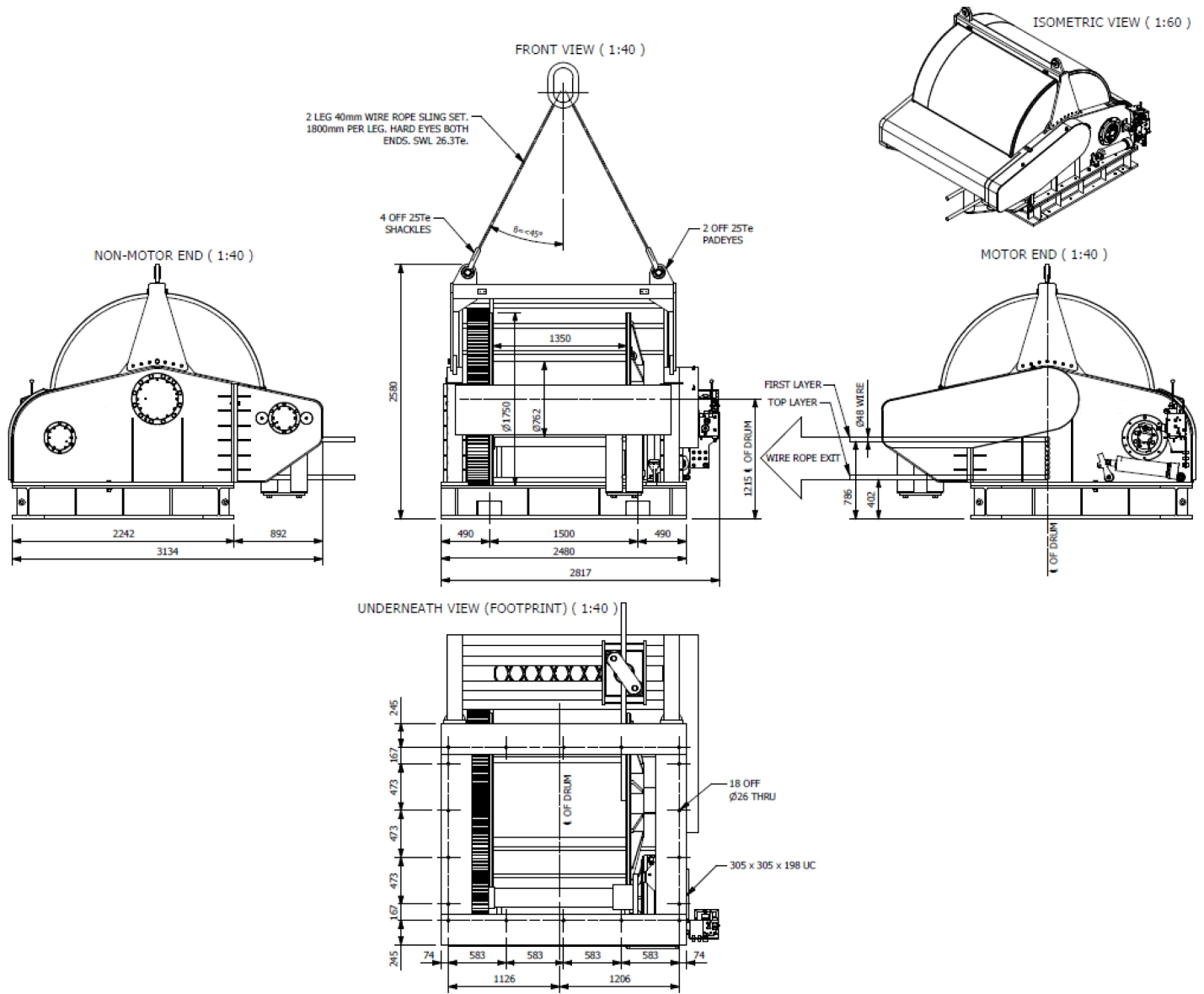
| | |
|------------------|-----------------------------------|
| Core Diameter: | 762mm |
| Flange Diameter: | 1750mm |
| Inside Width: | 1350mm |
| Wire Capacity: | 832m x 46mm wire rope |
| Levelwind: | Fitted to suit wire rope diameter |

Performance Data

Based on hydraulic system power at winch control valve as follows:

- Flow 290L/Min
- Pressure 231bar (Cross port pressure)
- Power Required 118kW
- Wire Rope Diameter 46mm

| Wire Rope Layer | Diameter (mm) | Wire Rope Length (m) | Line Pull (Te) | Line Speed (m/min) | Brake holding force (Te) |
|-----------------|---------------|----------------------|----------------|--------------------|--------------------------|
| 1 | 807 | 74 | 54.9 | 11.0 | 82.3 |
| 2 | 899 | 157 | 49.3 | 12.2 | 73.9 |
| 3 | 991 | 248 | 44.7 | 13.5 | 67.0 |
| 4 | 1083 | 348 | 40.9 | 14.7 | 61.3 |
| 5 | 1175 | 456 | 37.7 | 16.0 | 56.5 |
| 6 | 1267 | 573 | 35.0 | 17.2 | 52.5 |
| 7 | 1359 | 698 | 32.6 | 18.5 | 48.9 |
| 8 | 1451 | 832 | 30.5 | 19.7 | 45.7 |



Room for notes: