



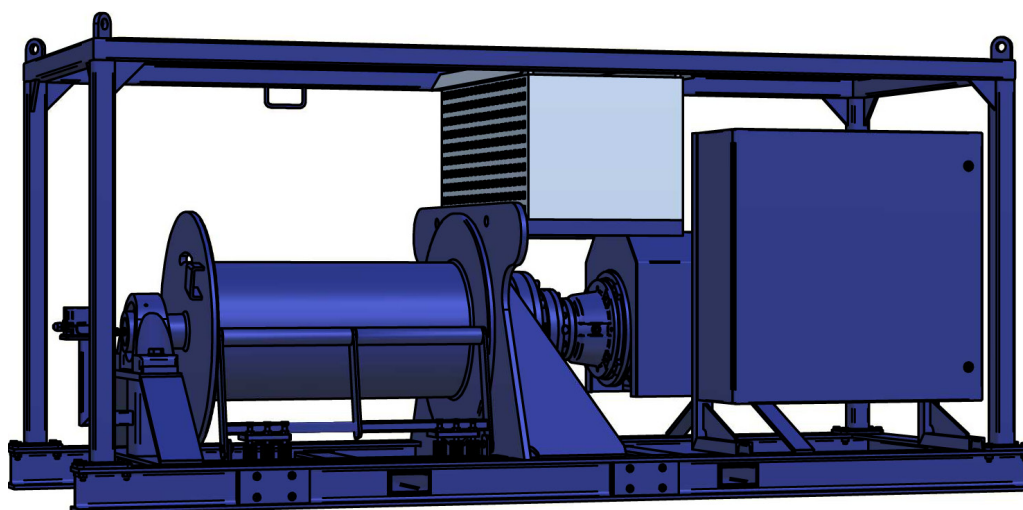
## Winch 5T SLWI0051

### Technical Data

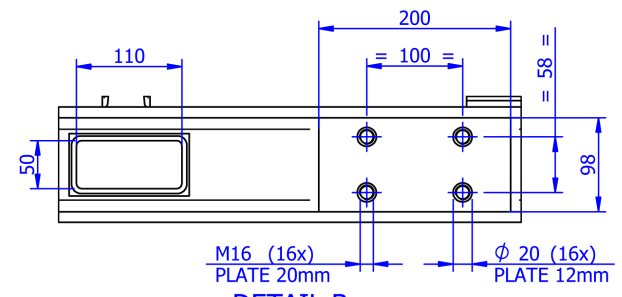
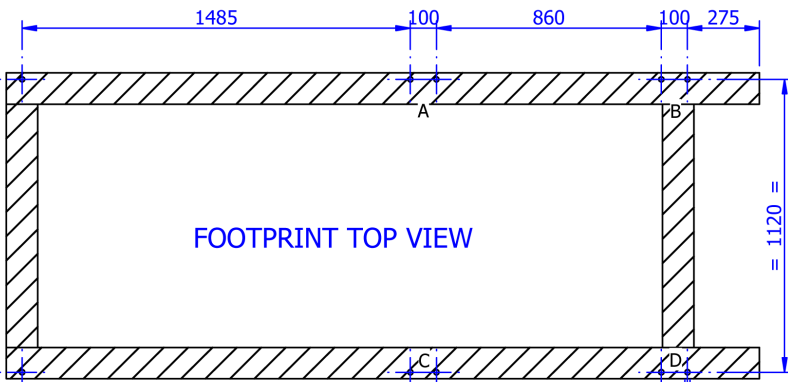
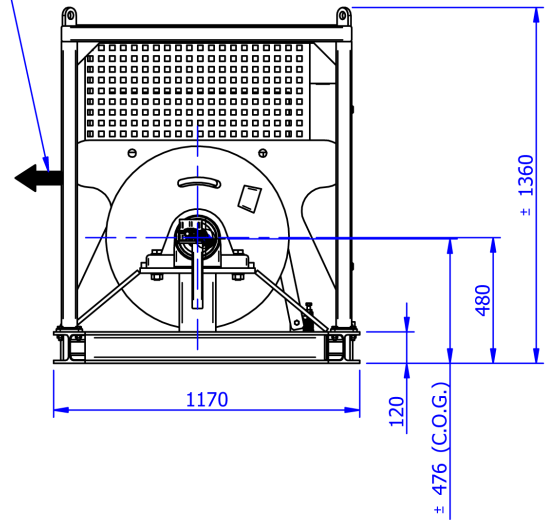
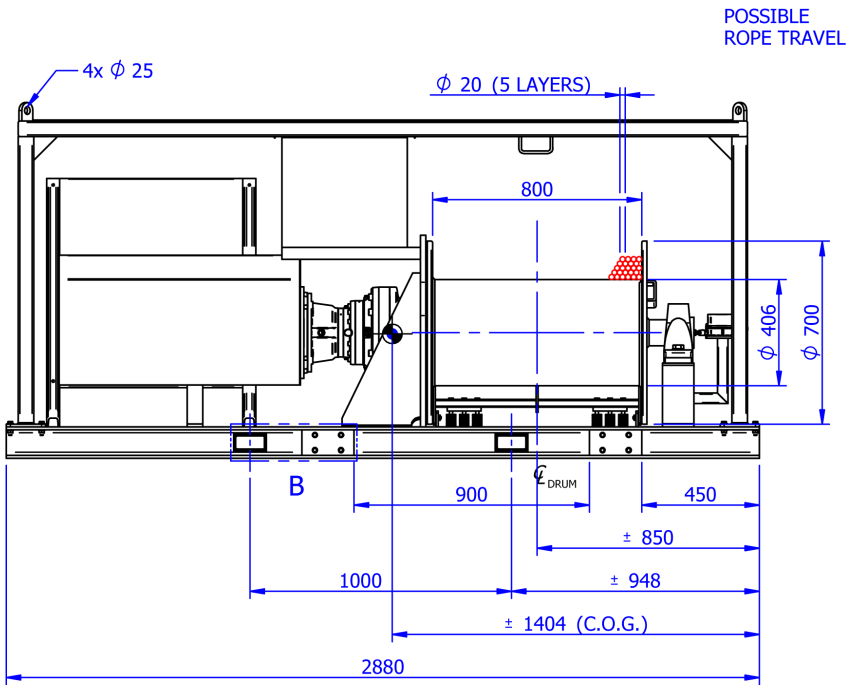
Power supply:	Electric 22kW 400V AC, 3 phase
WLL 1st layer:	7000kg
WLL lifting top layer:	4960kg
Speed:	12 m/min
Speed at top layer:	17 m/min
Number of layers:	5
Drum capacity 1st layer:	26mm
Drum capacity top layer:	171mm
mass:	825kg
Rope diameter:	22mm
Handheld remote:	Yes

### Dimensions

Length:	2280 mm
Width:	1170 mm
Height:	1360 mm



PLEASE INDICATE ROPE TRAVEL, IF DIFFERENT FROM POSITION AS DRAWN.



Ø 20 (10x)  
SUITABLE FOR M18 CLASS 8.8  
INITIAL TENSION: 329 Nm PER BOLT

DETAIL B  
FORK LIFT + EXTRA PLATES

