



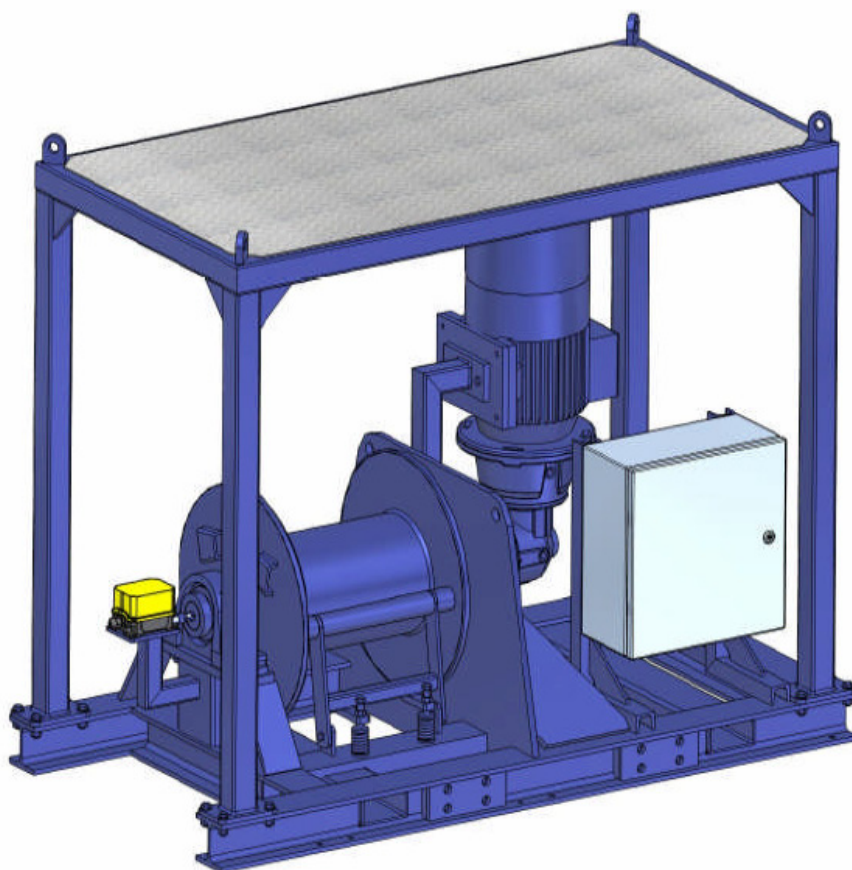
Winch 2T - 7.5kW

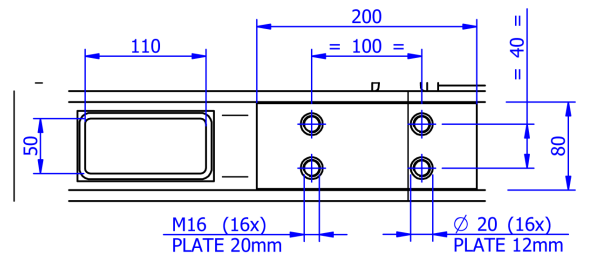
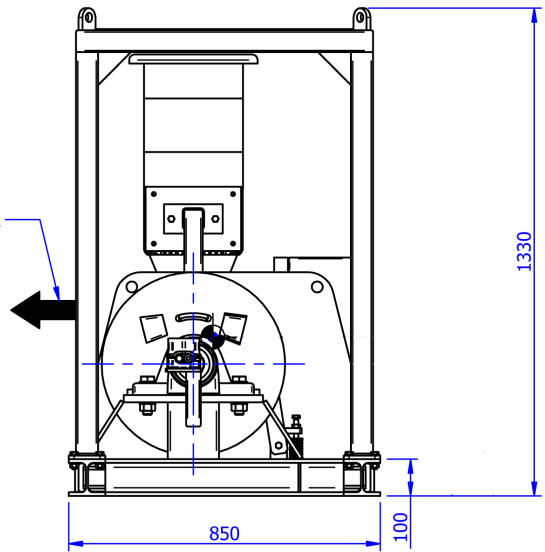
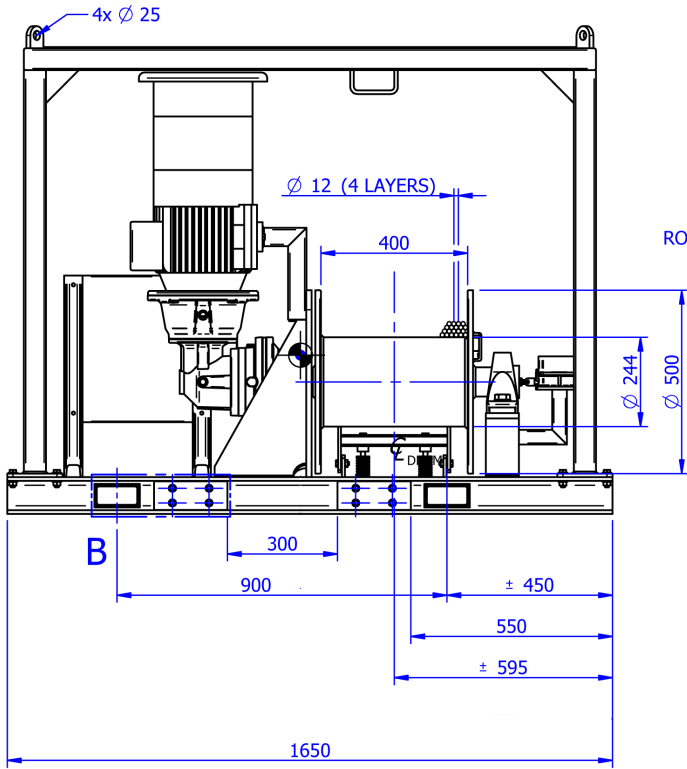
Technical Data

Power supply:	Electric 7.5kW 400V AC, 3 phase
WLL 1st layer:	2560kg
WLL lifting top layer:	2000kg
Speed:	15 m/min
Speed at top layer:	19 m/min
Drum capacity top layer:	165mm
mass:	600kg
Rope diameter:	12mm
Handheld remote:	Yes

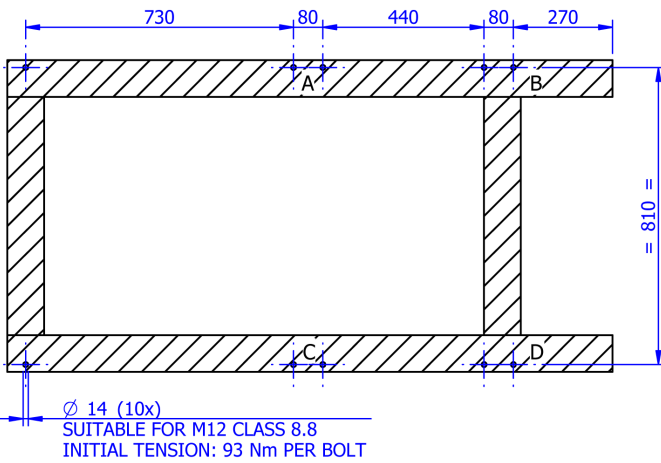
Dimensions

Length:	1650 mm
Width:	850 mm
Height:	1330mm





DETAIL B
FORK LIFT + EXTRA PLATES



FOOTPRINT TOP VIEW

