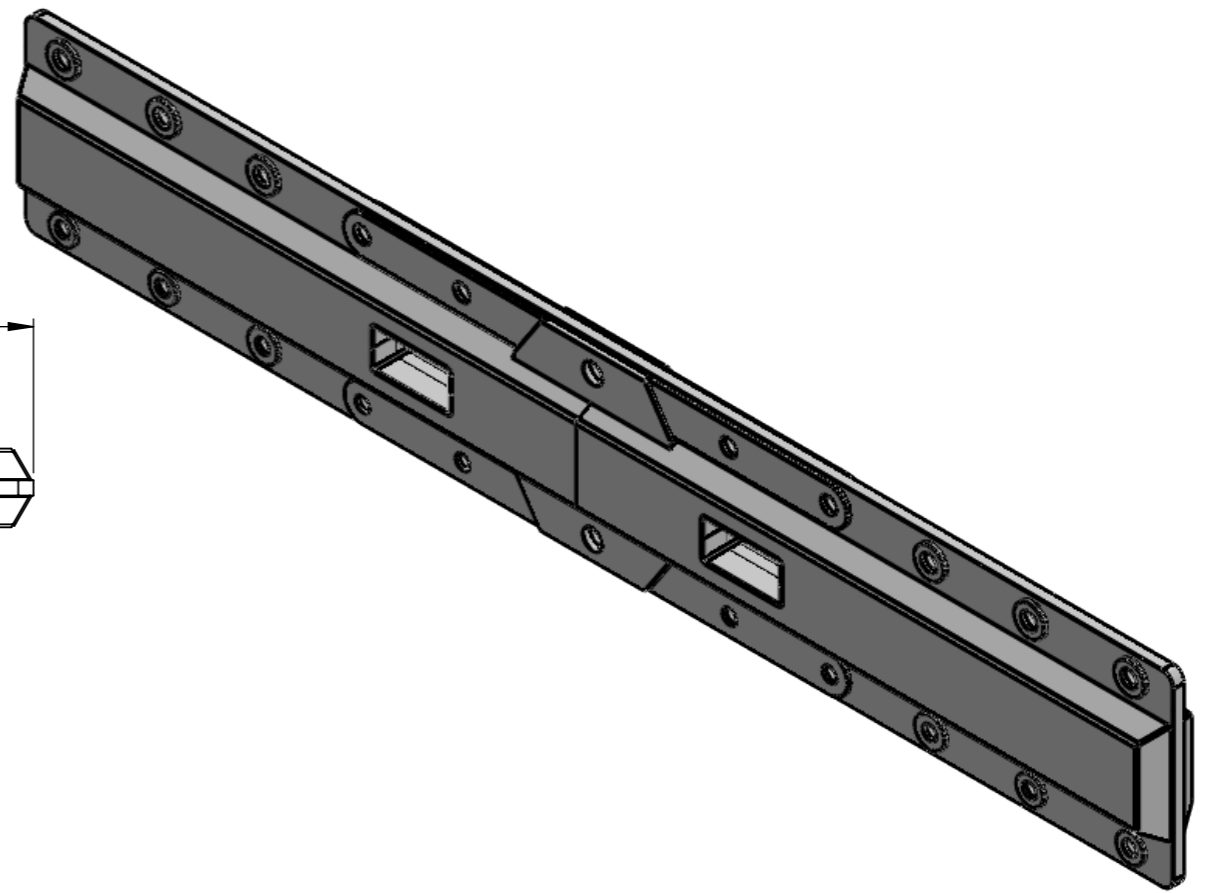
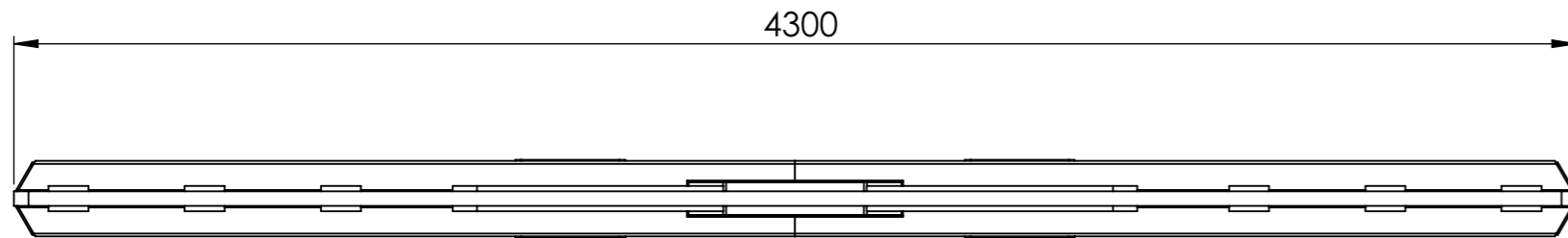


8 7 6 5 4 3 2 1

F

F



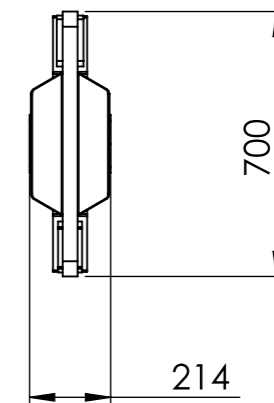
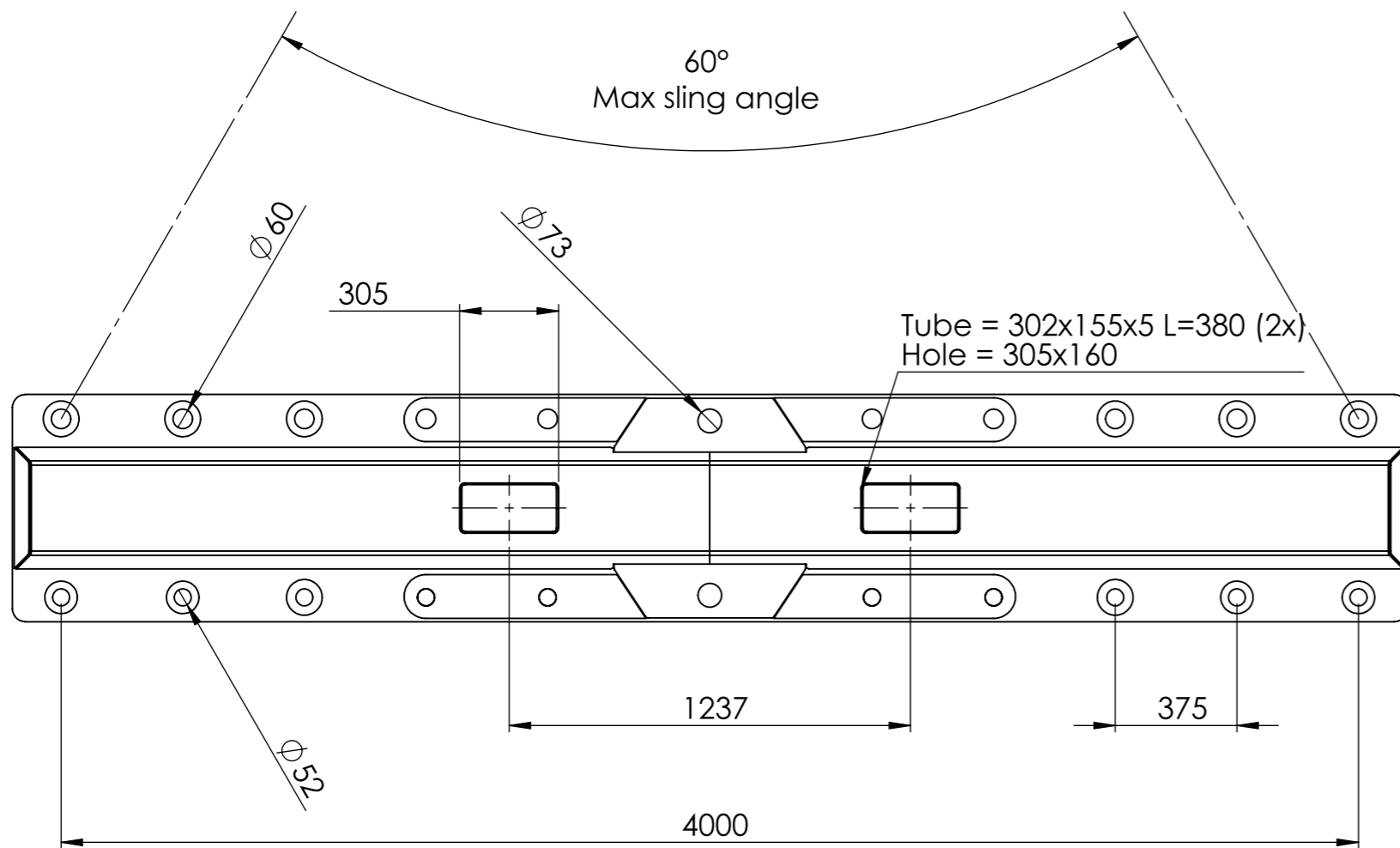
E

E

D

D

60°
Max sling angle



C

C

B

B

Lifting beam 50T 4m
 Type: EVK5040.02
 Wll: 50T (50000kg)
 Weight: 1372 kg

- Top middle lifting points suitable for 55T shackles
- Top remaining lifting point suitable for 35T shackles
- bottom lifting points suitable for 25T shackles
- Max sling angle is 60 °

A

A

UNLESS OTHERWISE SPECIFIED: DIMENSIONS ARE IN MILLIMETERS		FINISH: Painted		DEBURR AND BREAK SHARP EDGES		DO NOT SCALE DRAWING		REVISION	
SURFACE FINISH: NEN 3634		DATE: 14-2-2019		AMERICAN PROJECTION		TITLE: EVK5040.02.01			
TOLERANCES: NEN-ISO 1101		DATE: 14-2-2019							
DESIGN: NEN-EN 13155		DRAWN: TVDV		MATERIAL:		DWG NO. EVK5040.02.01		A3	
APPV'D: MTZ		WEIGHT: KG		SCALE: 1:20		SHEET 1 OF 1			



8 7 6 5 4 3 2 1