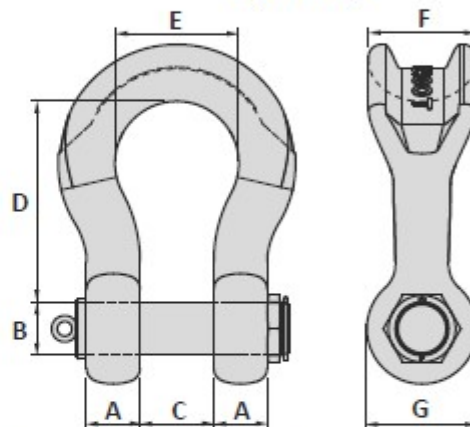
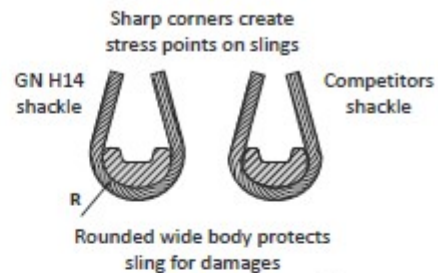


# GN FORGED ROPE SHACKLE TYPE H14 SLING PROTECTOR (WIDE BODY)

- Material : Alloy steel quenched and tempered  
 Safety factor : Up and including 1500 ton 5 times  
 Above 1500 ton 4 times  
 Finish : Painted  
 Certificates : Material certificate 3.1  
 on request : Manufacturer certificate  
 Proofload certificate  
 NDT inspection certificate  
 Classification inspection certificate  
 (DNV, Lloyds, ABS, BV etc.)



Art. No.	WLL ton	A mm	B mm	C mm	D mm	E mm	F mm	G mm	R mm	Weight kg
36000025	30	35	44	65	180	128	80	90	45	14
36000040	40	45	51	80	200	140	97	109	53	21
36000055	55	65	56	90	250	160	115	116	55	33
36000075	75	75	70	105	300	185	120	150	60	53
36000125	125	85	80	130	370	220	150	165	80	84
36000150	150	90	95	140	400	250	170	200	90	115
36000200	200	105	105	150	480	275	205	225	110	183
36000250	250	120	120	170	550	300	240	240	125	255
36000300	300	140	134	185	600	350	265	280	140	368
36000400	400	160	160	220	620	370	320	330	170	571
36000500	500	170	180	250	680	450	340	350	180	719
36000600	600	180	200	275	720	490	370	405	190	960
36000700	700	210	215	320	780	540	400	465	215	1250
36000800	800	220	230	320	800	555	420	465	220	1400
36000900	900	238	250	350	850	585	440	480	235	2100
36001000	1000	238	270	380	850	615	460	530	240	2200
36001250	1250	278	300	440	960	645	530	570	285	2800
36001500	1500	278	320	460	980	680	580	610	290	3300
36001750	1750	310	360	480	1020	700	600	660	310	4700
36002000	2000	320	385	500	1060	720	620	680	320	4800

Tolerance: Inside length  $\pm 7.5\%$ , all other forged parts  $\pm 5\%$ , machined parts  $\pm 1$  mm