

GENERAL

Material : Alloy steel
 Finish : Painted
 Temperature range : -4°F up to +392°F
 Standard certification : Certificate of Conformity
 3.1 material certificate EN 10204

SHACKLES

Non-standard sizes or custom products available on request
 Suitable on all our type dee, bow and wide body shackles

THIMBLES

SOCKETS

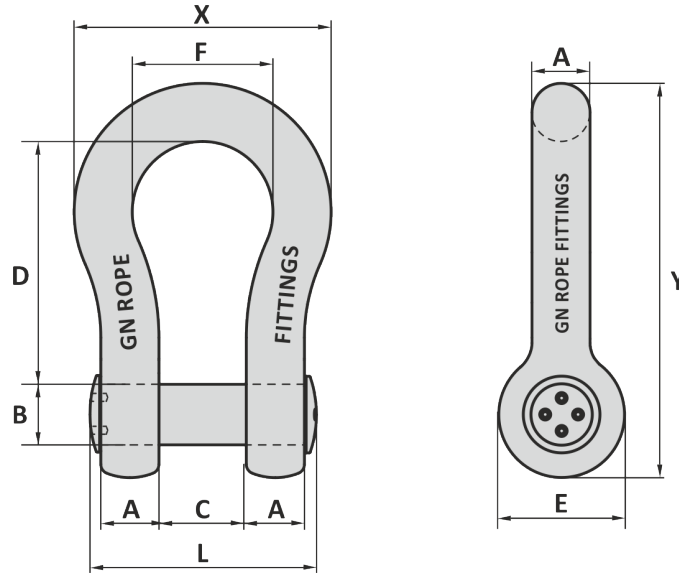
LINKS

SWIVELS

HOOKS

MOORING

OTHERS



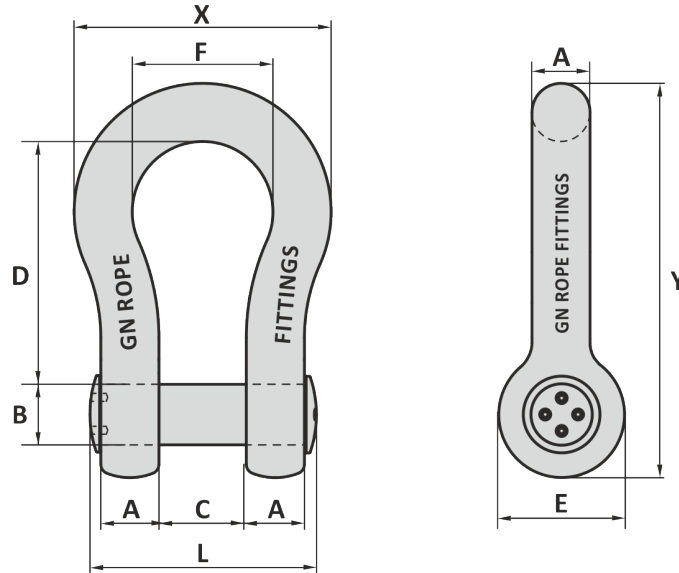
Art. No.	WLL ton	A inch	B inch	C inch	D inch	E inch	F inch	L inch	X inch	Y inch	Weight lbs
H9											
37000256	25	1 25/32	1 31/32	2 29/32	7	4 1/16	4 31/32	7 11/16	8 1/2	11 13/16	37
37000356	35	1 31/32	2 1/4	3 1/4	7 3/4	4 3/8	5 1/16	8 7/16	9 3/8	13 1/32	46
37000426	42.5	2 1/4	2 9/16	3 3/4	8 3/4	5 1/8	6 5/16	9 27/32	10 25/32	14 27/32	64
37000556	55	2 9/16	2 3/4	4 1/8	10 1/4	5 23/32	7 3/32	10 7/8	12 3/16	17 1/16	95
37000856	85	2 15/16	3 1/4	5	12 15/16	6 3/8	7 15/32	12 1/2	13 3/8	20 3/4	139
H10											
37001205	120	3 1/2	3 3/4	5 29/32	14 31/32	7 7/8	9 5/8	14 9/16	16 3/8	24 9/32	243
37001505	150	4	4 1/4	6 11/16	15 3/4	9 1/16	10 13/16	16 3/8	18 7/8	26 13/32	353
37002005	200	4 23/32	4 15/16	7 3/32	19 11/16	10 1/4	11 13/32	18 3/16	20 7/8	32	518
37002505	250	4 15/16	5 1/2	8 1/16	21 1/4	10 1/4	12	20	21 27/32	34 1/16	628
37003005	300	5 1/8	5 29/32	8 1/16	23 3/8	12	12	20 3/8	22 1/4	37 23/32	750
H10 SUPER											
38000406	40	1 25/32	1 31/32	2 29/32	7	4 1/16	4 31/32	7 11/16	8 1/2	11 13/16	33
38000556	55	2 1/4	2 1/4	3 1/4	7 3/4	4 3/8	5 1/16	8 31/32	9 15/16	13 7/16	49
37000858	85	2 3/4	2 3/4	4 1/8	10 1/4	5 5/8	7 3/32	11 5/16	12 19/32	17 3/16	93
37001106	120	3 5/32	3 1/4	5	12 15/16	6 3/8	7 15/32	12 29/32	13 25/32	20 15/16	154
37001406	150	3 9/16	3 3/4	5 5/16	14 31/32	7 7/8	9 7/16	14 1/16	16 17/32	24 1/8	243
37001756	175	4	4 1/4	5 1/2	15 3/4	9 1/16	9 27/32	15 3/16	17 23/32	26 11/32	331
37002006	200	4 23/32	4 3/4	7 3/32	19 11/16	10 1/4	11 13/32	18 3/16	20 7/8	31 15/16	496
37002506	250	4 15/16	5	8 21/32	20 15/32	10 1/4	12 13/16	20 5/32	22 5/8	33 1/32	661
37003006	300	5 5/16	6	8 21/32	19 11/16	12	13	21 3/8	24	34 3/32	776
H14											
36000045	40	1 25/32	2	3 5/16	7 7/8	4 9/32	5 1/2	8 1/16	9 5/8	13 1/32	46
36000058	55	2 9/16	2 5/32	3 9/16	9 27/32	5 1/8	6 5/16	9 5/8	11 11/32	15 25/32	73
36000078	75	2 15/16	2 3/4	4 5/16	11 13/16	5 29/32	7 3/32	11 7/8	13 5/32	19 3/32	117
36000128	125	3 11/32	3 5/32	5 1/2	14 9/16	6 1/2	8 21/32	13 7/8	15 11/32	22 15/16	185
36000155	150	3 9/16	3 3/4	5 29/32	15 3/4	7 7/8	9 27/32	14 21/32	16 7/8	25 1/8	254
36000205	200	4 1/8	4 1/8	6 5/16	18 29/32	8 3/8	10 13/16	16 7/32	19 1/16	29 23/32	403
36000255	250	4 23/32	4 23/32	7 3/32	21 21/32	9 7/16	11 13/16	18 3/16	21 1/4	33 15/32	562
36000305	300	5 1/2	5 5/32	7 11/16	23 3/8	11 1/32	13 25/32	20 25/32	24 23/32	37 5/32	811
36000405	400	6 5/16	6 5/16	9 1/16	24 15/32	13	14 9/16	23 3/4	27 1/8	40 3/4	1259

Tolerance: Inside length ± 7.5%, all other forged parts ± 5%, machined parts ± 1 mm

19-12-2023

Material : Alloy steel
 Finish : Painted
 Temperature range : -20°C up to +200°C
 Standard certification : Certificate of Conformity
 3.1 material certificate EN 10204

Non-standard sizes or custom products available on request
 Suitable on all our type dee, bow and wide body shackles



Art. No.	WLL ton	A mm	B mm	C mm	D mm	E mm	F mm	L mm	X mm	Y mm	Weight kg
H9											
37000256	25	45	50	74	178	103	126	195	216	300	17
37000356	35	50	57	83	197	111	138	214	238	331	21
37000426	42.5	57	65	95	222	130	160	250	274	377	29
37000556	55	65	70	105	260	145	180	276	310	433	43
37000856	85	75	83	127	329	162	190	318	340	527	63
H10											
37001205	120	89	95	150	380	200	238	370	416	617	110
37001505	150	102	108	170	400	230	275	416	479	671	160
37002005	200	120	125	180	500	260	290	462	530	813	235
37002505	250	125	140	205	540	260	305	508	555	865	285
37003005	300	130	150	205	600	305	305	518	565	958	340
H10 SUPER											
38000406	40	45	50	74	178	103	126	195	216	300	15
38000556	55	57	57	83	197	117	138	228	252	341	22
37000858	85	70	70	105	260	143	180	287	320	437	42
37001106	120	80	83	127	329	162	190	328	350	532	70
37001406	150	90	95	135	380	200	240	357	420	613	110
37001756	175	102	108	140	400	230	250	386	450	669	150
37002006	200	120	121	180	500	260	290	462	530	811	225
37002506	250	125	127	220	520	260	325	512	575	839	300
37003006	300	135	152	220	500	305	330	543	610	869	352
H14											
36000045	40	45	51	84	200	109	140	205	232	331	21
36000058	55	65	58	90	250	130	160	251	288	401	33
36000078	75	75	70	110	300	150	185	302	334	485	53
36000128	125	85	80	140	370	165	220	352	390	583	84
36000155	150	90	95	150	400	200	250	372	429	638	115
36000205	200	105	105	160	480	225	275	412	484	755	183
36000255	250	120	120	180	550	240	300	462	540	850	255
36000305	300	140	134	195	600	280	350	528	628	947	368
36000405	400	160	160	230	620	330	370	603	689	1035	571

Tolerance: Inside length ± 7.5%, all other forged parts ± 5%, machined parts ± 1 mm

19-12-2023