



SafeLifting

Datasheet GN H14 500T

Material	: Alloy steel quenched and tempered
Safety factor	: ≤ 2000 ton 5 times > 2000 ≤ 3000 ton 4,5 times > 3000 ton 4 times
Finish	: Painted
Temperature range	: ≤ 40 ton -20°C up to +200°C > 40 ton -40°C up to +200°C; Polar Rated
Standard certification	: Certificate of Conformity 3.1 material certificate EN 10204

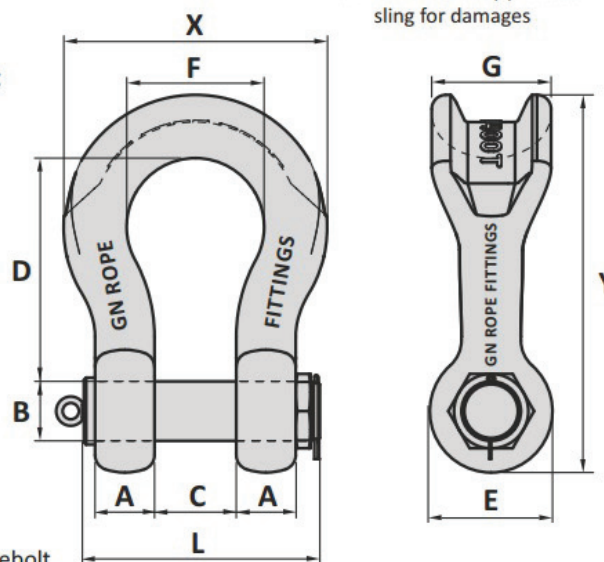
Sharp corners create stress points on slings

GN H14 shackle



Rounded wide body protects sling for damages

Non-standard sizes or custom products available on request



* Shackles from WLL 30 ton ≤ 125 ton are not supplied with an eyebolt

Art. No.	WLL ton	A mm	B mm	C mm	D mm	E mm	F mm	G mm	L mm	R mm	X mm	Y mm	Weight kg
36000500	500	170	180	265	680	350	440	340	710	180	779	1125	719

Tolerance: Inside length ± 7.5%, all other forged parts ± 5%, machined parts ± 1 mm

Art. No.	WLL ton	A inch	B inch	C inch	D inch	E inch	F inch	G inch	L inch	R inch	X inch	Y inch	Weight lbs
36000500	500	6 1/16	7 1/2	10 1/16	26 25/32	13 25/32	17 1/16	13 3/8	27 15/16	7 3/32	30 1/16	44 3/32	1585

Tolerance: Inside length ± 7.5%, all other forged parts ± 5%, machined parts ± 1/2 inch