



# SafeLifting

## Datasheet GN H14 800T

Material	: Alloy steel quenched and tempered
Safety factor	: ≤ 2000 ton 5 times > 2000 ≤ 3000 ton 4,5 times > 3000 ton 4 times
Finish	: Painted
Temperature range	: ≤ 40 ton -20°C up to +200°C > 40 ton -40°C up to +200°C; Polar Rated
Standard certification	: Certificate of Conformity 3.1 material certificate EN 10204

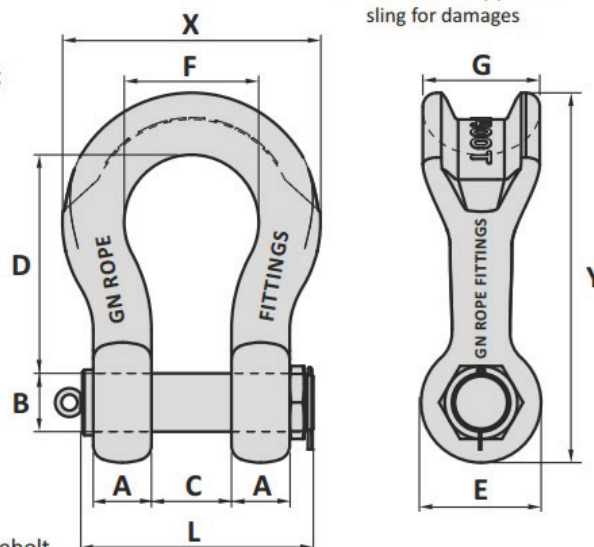
Sharp corners create stress points on slings

GN H14 shackle



Rounded wide body protects sling for damages

Non-standard sizes or custom products available on request



\* Shackles from WLL 30 ton ≤ 125 ton are not supplied with an eyebolt

Art. No.	WLL ton	A mm	B mm	C mm	D mm	E mm	F mm	G mm	L mm	R mm	X mm	Y mm	Weight kg
36000800	800	220	230	345	800	465	555	420	925	220	990	1358	1400

Tolerance: Inside length ± 7.5%, all other forged parts ± 5%, machined parts ± 1 mm

Art. No.	WLL ton	A inch	B inch	C inch	D inch	E inch	F inch	G inch	L inch	R inch	X inch	Y inch	Weight lbs
36000800	800	8 <sup>2</sup> / <sub>32</sub>	9 <sup>1</sup> / <sub>16</sub>	13 <sup>19</sup> / <sub>32</sub>	31 <sup>1</sup> / <sub>2</sub>	18 <sup>5</sup> / <sub>16</sub>	21 <sup>27</sup> / <sub>32</sub>	16 <sup>1</sup> / <sub>32</sub>	36 <sup>13</sup> / <sub>32</sub>	8 <sup>2</sup> / <sub>32</sub>	38 <sup>3</sup> / <sub>32</sub>	53 <sup>15</sup> / <sub>32</sub>	3086

Tolerance: Inside length ± 7.5%, all other forged parts ± 5%, machined parts ± 1/2 inch