



SafeLifting

Datasheet GP P-6033 150T

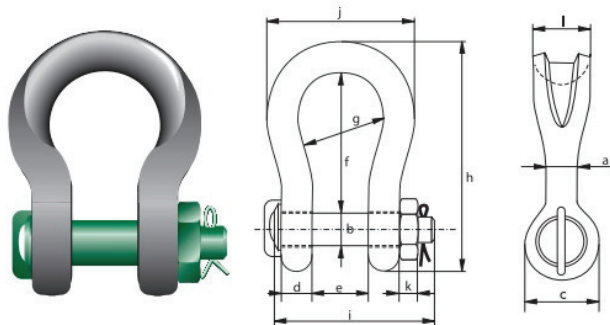


Green Pin® Sling Shackles

P-6033

bow shackles with safety bolt

- **Material** : bow and pin alloy steel, Grade 8, quenched and tempered
- **Safety Factor** : MBL equals 5 x WLL
- **Finish** : shackle bow painted silver, pin painted green
- **Temperature Range** : -20 °C up to +200 °C
- **Certification** : **2.1** **2.2** **3.1** **MTC^b** * **LROS** * **MPI^b** * **US^b** * **CE**



working load limit	diameter body	diameter pin	diameter eye	width eye	width inside	length inside	width bow	length	length bolt	width	thickness nut	bearing surface	weight each
t	a	b	c	d	e	f	g	h	i	j	k	l	kg
150	94	95	179	89	147	391	253	645	435	434	50	170	140
working load limit	diameter body	diameter pin	diameter eye	width eye	width inside	length inside	width bow	length	length bolt	width	thickness nut	bearing surface	weight each
t	a	b	c	d	e	f	g	h	i	j	k	l	lbs
150	3 ¹¹ / ₁₆	3 ³ / ₄	7 ¹ / ₁₆	3 ¹ / ₂	5 ²⁵ / ₃₂	15 ¹³ / ₃₂	9 ³¹ / ₃₂	25 ¹³ / ₃₂	17 ¹ / ₈	17 ³ / ₃₂	1 ³¹ / ₃₂	6 ¹¹ / ₁₆	309

* For shackles ≥ WLL 75 t