



SafeLifting

Datasheet GP P-6033 200T

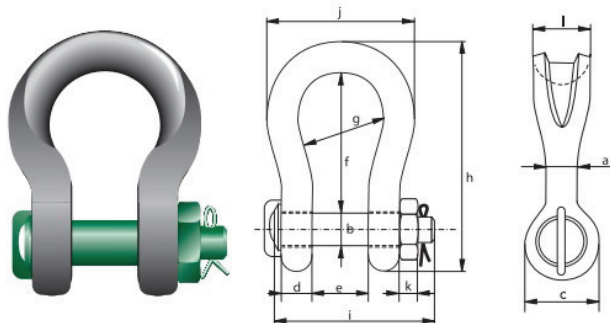


Green Pin® Sling Shackles

P-6033

bow shackles with safety bolt

- **Material** : bow and pin alloy steel, Grade 8, quenched and tempered
- **Safety Factor** : MBL equals 5 x WLL
- **Finish** : shackle bow painted silver, pin painted green
- **Temperature Range** : -20 °C up to +200 °C
- **Certification** : **2.1** **2.2** **3.1** **MTC^b*** **LROS^{*}** **MPI^b*** **US^b*** **CE**



working load limit	diameter body	diameter pin	diameter eye	width eye	width inside	length inside	width bow	length	length bolt	width	thickness nut	bearing surface	weight each
t	a	b	c	d	e	f	g	h	i	j	k	l	kg
200	110	105	199	100	158	481	280	759	470	482	50	205	205

working load limit	diameter body	diameter pin	diameter eye	width eye	width inside	length inside	width bow	length	length bolt	width	thickness nut	bearing surface	weight each
t	a	b	c	d	e	f	g	h	i	j	k	l	lbs
200	4 11/32	4 1/8	7 27/32	3 15/16	6 7/32	18 15/16	11 1/32	29 7/8	18 1/2	18 31/32	1 31/32	8 1/16	452

* For shackles ≥ WLL 75 t