



# SafeLifting

## Datasheet GP P-6033 250T

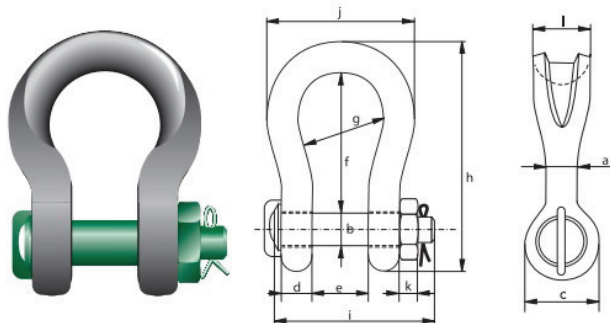


### Green Pin® Sling Shackles

P-6033

#### bow shackles with safety bolt

- **Material** : bow and pin alloy steel, Grade 8, quenched and tempered
- **Safety Factor** : MBL equals 5 x WLL
- **Finish** : shackle bow painted silver, pin painted green
- **Temperature Range** : -20 °C up to +200 °C
- **Certification** : **2.1** **2.2** **3.1** **MTC<sup>b</sup>** \* **LROS** \* **MPI<sup>b</sup>** \* **US<sup>b</sup>** \* **CE**



working load limit	diameter body	diameter pin	diameter eye	width eye	width inside	length inside	width bow	length	length bolt	width	thickness nut	bearing surface	weight each
t	a	b	c	d	e	f	g	h	i	j	k	l	kg

250	126	120	227	110	179	542	300	859	519	530	60	240	264
-----	-----	-----	-----	-----	-----	-----	-----	-----	-----	-----	----	-----	-----

working load limit	diameter body	diameter pin	diameter eye	width eye	width inside	length inside	width bow	length	length bolt	width	thickness nut	bearing surface	weight each
t	a	b	c	d	e	f	g	h	i	j	k	l	lbs

250	4 <sup>31</sup> / <sub>32</sub>	4 <sup>23</sup> / <sub>32</sub>	8 <sup>15</sup> / <sub>16</sub>	4 <sup>11</sup> / <sub>32</sub>	7 <sup>1</sup> / <sub>16</sub>	21 <sup>11</sup> / <sub>32</sub>	11 <sup>13</sup> / <sub>16</sub>	33 <sup>13</sup> / <sub>16</sub>	20 <sup>7</sup> / <sub>16</sub>	20 <sup>7</sup> / <sub>8</sub>	2 <sup>3</sup> / <sub>8</sub>	9 <sup>7</sup> / <sub>16</sub>	582
-----	---------------------------------	---------------------------------	---------------------------------	---------------------------------	--------------------------------	----------------------------------	----------------------------------	----------------------------------	---------------------------------	--------------------------------	-------------------------------	--------------------------------	-----

\* For shackles ≥ WLL 75 t