



# SafeLifting

## Datasheet GP P-6033 400T

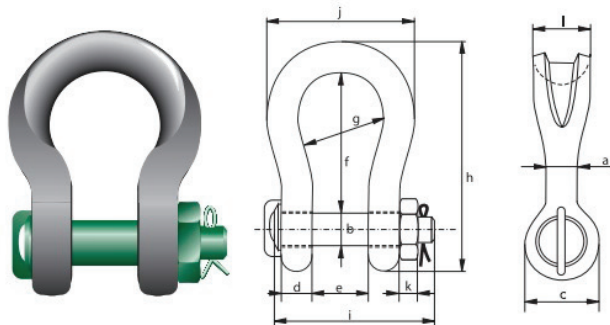


### Green Pin® Sling Shackles

P-6033

#### bow shackles with safety bolt

- **Material** : bow and pin alloy steel, Grade 8, quenched and tempered
- **Safety Factor** : MBL equals 5 x WLL
- **Finish** : shackle bow painted silver, pin painted green
- **Temperature Range** : -20 °C up to +200 °C
- **Certification** : 2.1 2.2 3.1 MTC<sup>b</sup> \* LROS \* MPI<sup>b</sup> \* US<sup>b</sup> \* CE



working load limit	diameter body	diameter pin	diameter eye	width eye	width inside	length inside	width bow	length	length bolt	width	thickness nut	bearing surface	weight each
t	a	b	c	d	e	f	g	h	i	j	k	l	kg
500	170	180	328	160	263	681	450	1131	748	790	90	339	780
working load limit	diameter body	diameter pin	diameter eye	width eye	width inside	length inside	width bow	length	length bolt	width	thickness nut	bearing surface	weight each
t	a	b	c	d	e	f	g	h	i	j	k	l	lbs
500	6 <sup>11</sup> / <sub>16</sub>	7 <sup>3</sup> / <sub>32</sub>	12 <sup>29</sup> / <sub>32</sub>	6 <sup>5</sup> / <sub>16</sub>	10 <sup>11</sup> / <sub>32</sub>	26 <sup>13</sup> / <sub>16</sub>	17 <sup>23</sup> / <sub>32</sub>	44 <sup>17</sup> / <sub>32</sub>	29 <sup>7</sup> / <sub>16</sub>	31 <sup>3</sup> / <sub>32</sub>	3 <sup>17</sup> / <sub>32</sub>	13 <sup>11</sup> / <sub>32</sub>	1720

\* For shackles ≥ WLL 75 t